

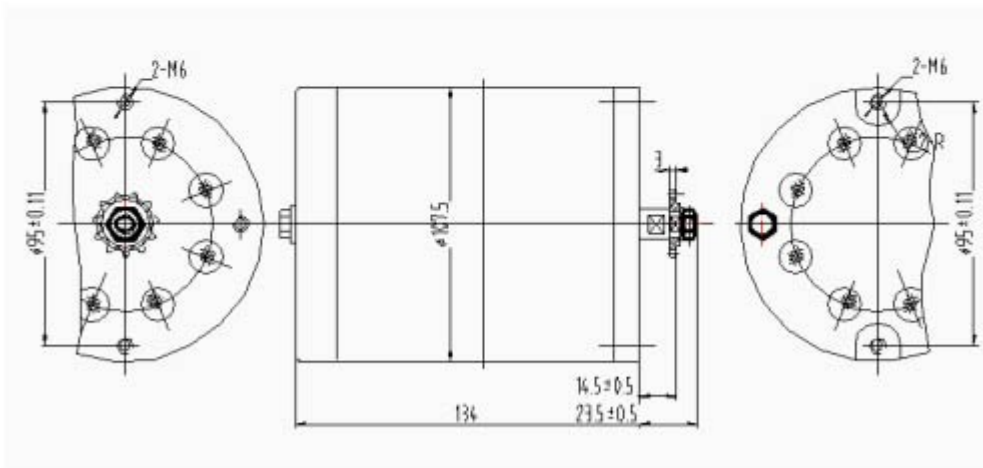
MY1020G-350-800W

1. PHOTOS:

9 0



DIMENSIONS:

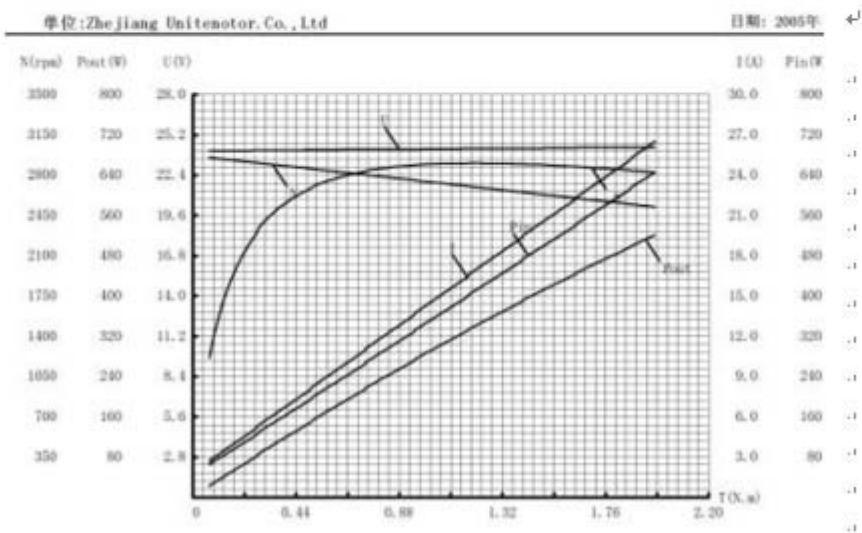


CHAIN SPROCKET: 11 TEETH 6.35 PITCH ROLLER O.D. 3.28 (OPTIONAL 11 TEETH 8 PITCH ROLLER O.D. 5)

2. PERFORMANCE CURV ↵

Ref. Point↵	Torque/N.m↵	Speed/rpm↵	P-out/W↵	Volt/V↵	Current/A↵	P-in /W↵	Efficient/%↵
No Load↵	0.07↵	2953↵	22.88↵	24.10↵	2.73↵	65.72↵	34.82↵
Max. Efficient↵	1.34↵	2667↵	373.75↵	24.27↵	18.58↵	450.89↵	82.89↵
Rated Load↵	1.87↵	2546↵	499.79↵	24.35↵	25.30↵	615.96↵	81.14↵
Max.Torque↵	2.972↵	2201↵	685.19↵	24.48↵	37.55↵	919.34↵	74.53↵

↵



3. SPECIFICATION:

MODEL	SPECS	V	NO LOAD		RATED LOAD				
			SPEED rpm	CURRENT A	TORQUE N.m	SPEED rpm	CURRENT A	P-OUT W	EFFICIENT η
1020G	350W24V	24	2700±5%	≤2.5	1.49 ±	2250±5%	≤18.7	350	≥78%
	350W36V	36	2700±5%	≤2.5		2250±5%	≤12.5	350	
	350W48V	48	2700±5%	≤2.0		5%	2250±5%	≤9.3	
	500W24V	24	3000±5%	≤2.5	1.91 ±	2500±5%	≤26.7	500	
	500W36V	36	3000±5%	≤2.5		2500±5%	≤17.8	500	
	500W48V	48	3000±5%	≤2.0	5%	2500±5%	≤13.4	500	
	750W36V	36	3350±5%	≤2.5	2.56 ±	2800±5%	≤26.7	750	
	750W48V	48	3350±5%	≤2.0		5%	2800±5%	≤20.0	

4.PACKAGE:

MODEL	WEIGHT Kg/PC	QTY. PC/CTN	CTN GW. Kg	DIMENSION CM	PACKING MATERIAL
MY1020G-350W24V	3.92	6	24.0	40x27x20	CARTON BOX
MY1020G-350W36V					
MY1020G-350W48V					
MY1020G-500W24V	3.98	6	24.7		
MY1020G-500W36V					
MY1020G-500W48V					
MY1020G-750W36V					
MY1020G-750W48V					