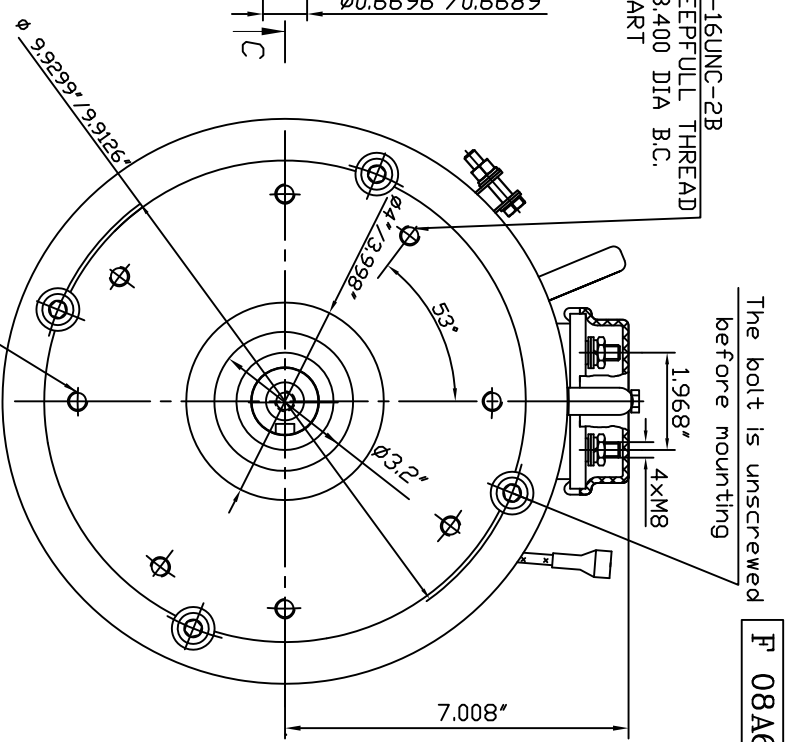
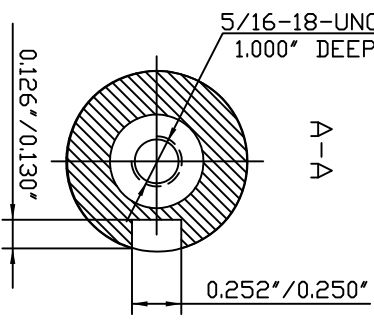


Torque  $10^4 \text{ Nm}$

(4)3/8-16UNC-2B  
X.80 DEEPFULL THREAD  
ON A 8.400 DIA B.C.  
90° APART



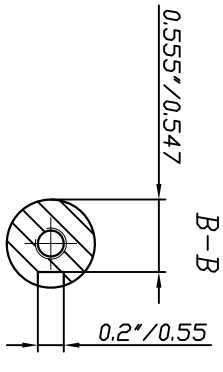
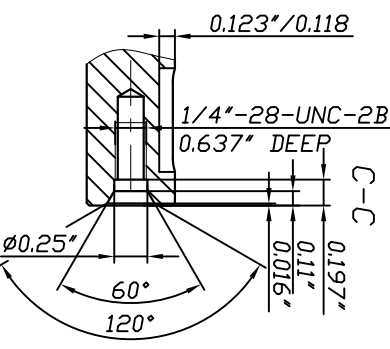
The bolt is unscrewed before mounting **F 08A6**



**KOSTOV 11" 144V**  
**R20-31949**

rated power 32 kW  
rated voltage 144 V  
rated current 280 A  
rated speed 3400 min<sup>-1</sup>  
operation mode S2-60min  
excitation series  
protection IP 21  
insulation class H  
interpoles YES  
weight 81 kg  
length L  
char. curve S144F05  
rotation Rev

Duty cycle	Volts	Amps	RPM	kW	HP	Peak HP
S2-60min	90	256	3450	20.0	26.7	83.0
S2-60min	115	280	4400	26.9	35.9	110.0
S2-60min	139	280	5350	32.5	43.3	130.0

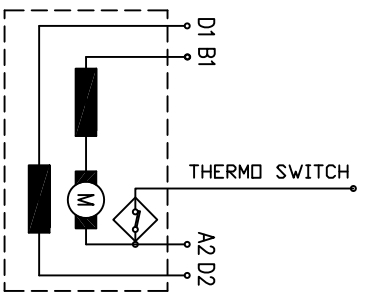


Rotation (viewed from drive end)  
CCW: Connect D2 to A2; "+" to D1 and "-" to B1  
CW: Connect D1 to A2; "+" to D2 and "-" to B1  
Coating: black

**KOSTOV MOTORS**

**KOSTOV 11" 144 V**  
excit. SERIES  
IP 21 Insulation H  
rpm 3400 A 280 V 144  
kW 32 A 280 V 144  
S.N. S144  
www.kostov-motors.com

**CE**



**Balkancar "G. Kostov" JSC**

13.07.2009  
Rev.